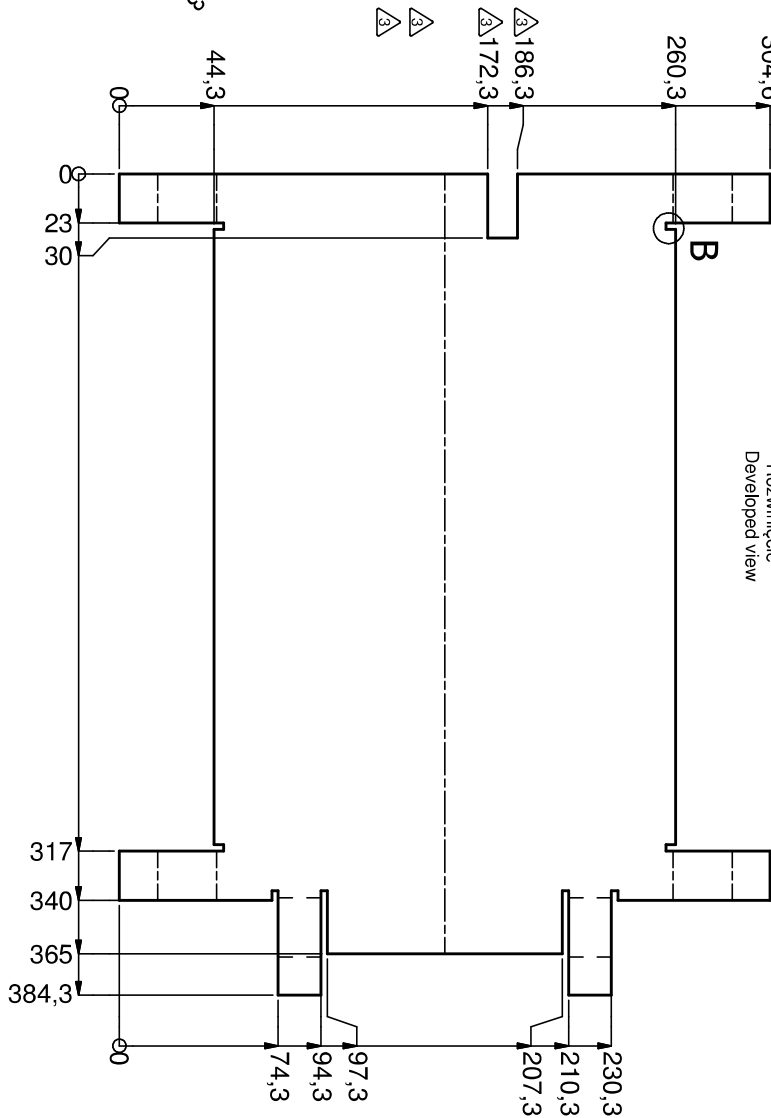
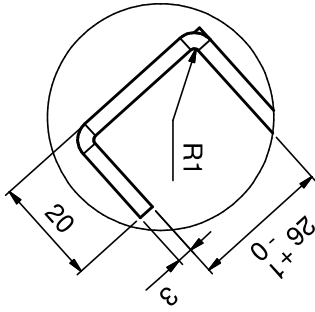


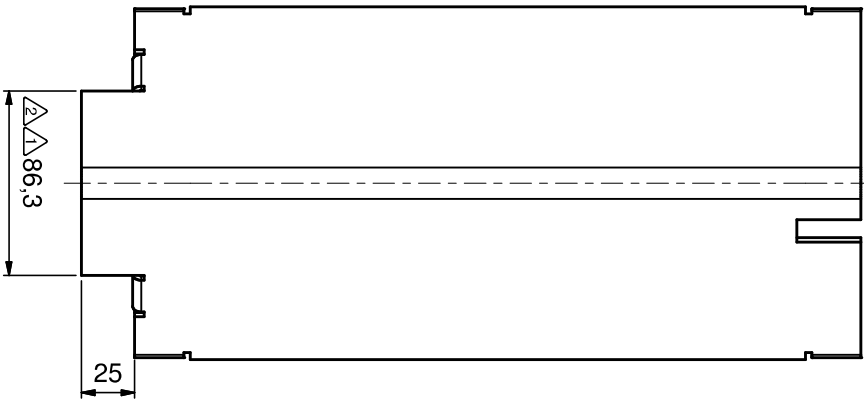
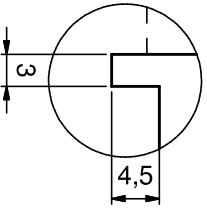
Rozwinięcie  
Developed view



A (1 : 1)



B (2 : 1)



**UWAGA / ATTENTION:**  
Ostre krawędzie usunąć.  
Sharp edges shall be removed.

No. change		Quantity changes		No. card of changes		Material Quality/Specification		Weight	
1	2	3	4	5	6	7	8	9	10
Design	Checked	Drawn	Approved	Name	Signature	Date	Signature	Signature	Signature
1	6	Mkorbut	Mkazimtruk	LMatyszewicz		2015/P/30			
2	7	Twastlewski				2018/K/01			
3	8					2017/K/09			
4	9					2017-03-31			
5	10					2016-06-17			
Name assembly, part		Name		Date		Signature		Signature	
S235JR PN-EN 10025-2		MKO		2014-12-12		LWA		LM	
PL		ENG		PL		ENG		PL	
Name		Projection		Drawing no		Revision		Scale	
Baffle		Przegroda		24017		3		1 : 2,5	
Material		Format		Weight		Sheet		Scale	
S235JR PN-EN 10025-2		A3		1,92 Kg		1 / 1		1 : 2,5	