

	Angular Pos / BB	Regulation °C	Diff. °C
X	0	≈ 5	
Y			
Z	270	77 ± 3	Mini 3

Submerged cap. length = 50 mm

Terminals 6.3 x 0.8 mm

Bulb COPPER

Capillary COPPER

stem length 545 ± 25mm

Sleeving 405 ± 25mm

Silicone PTFE PER

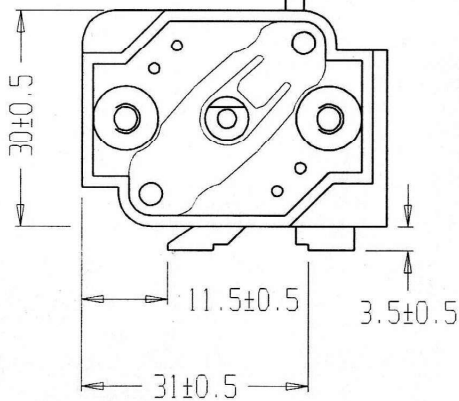
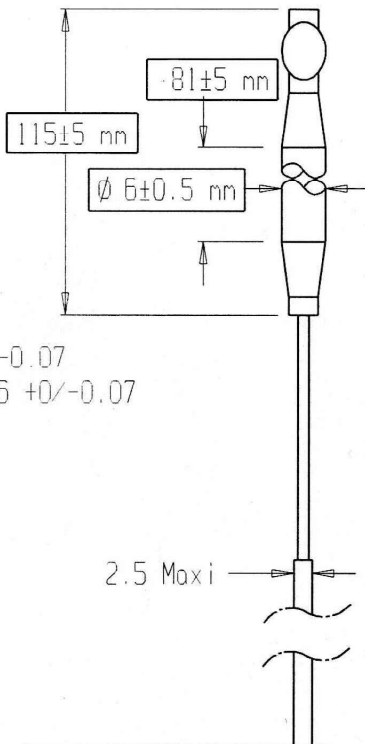
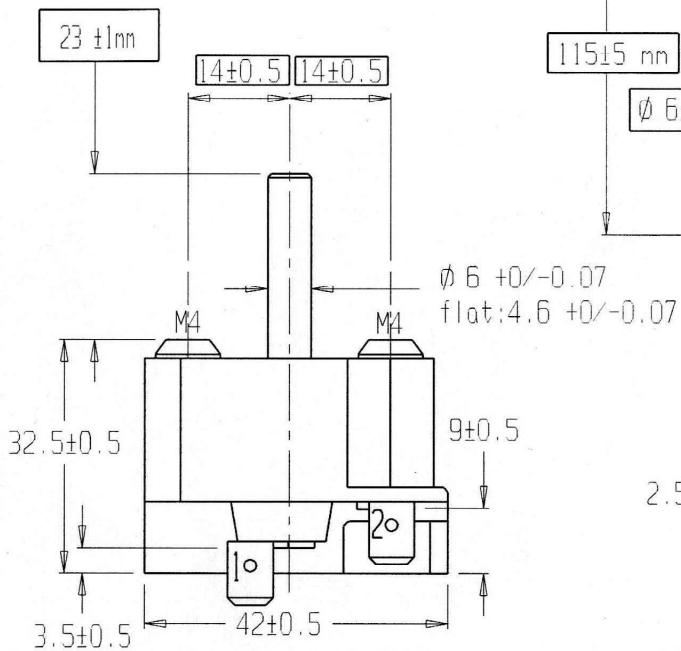
Maxi bulb temp. 142°C

Preset in position : Z

Standard packaging

Comments :

spindle in min. position



Marking

**COTHERM**  
 ... GTLH0330  
 1-2 AC 20A 250V  
 DF ...

**NORMS:** -Approvals BEAB:EN60730-1  
 EN60730-2-9  
 T 100  
 1-2 20A 250V ~  
 1-3 5A 250V ~

ACCEPT

"NIBE-BIAWAR" sp. z o.o.  
 15-703 Białystok, Al. Jana Pawła II 57  
 tel. centr. 651-38-59, fax 651-03-80  
 nr identyfikacyjny 050042407  
 -1- NIP 542-020-02-92

Akceptuję  
*J. Spierzak 16.04.2003*

REFER.	MODIFICATION	N°: C03069	DATE	VISA	ACCEPTED ON	VISA
G.T.:	SAMPLE	DESIGNATION		<b>COTHERM</b>		
Scale : 1/1	N°: E - ....	GTLHO 5 / 77 °C				
Drawn on : 10/04/03	by : <i>D.M</i>	CUSTOMER BIAWAR		<b>GTLH0330</b>		
Approved on : 14/04/03	by : <i>B R</i>					

THIS DRAWING IS THE EXCLUSIVE PROPERTY OF COTHERM COMPANY AND MUST NOT BE COPIED OR TRANSMITTED TO THIRD PARTIES