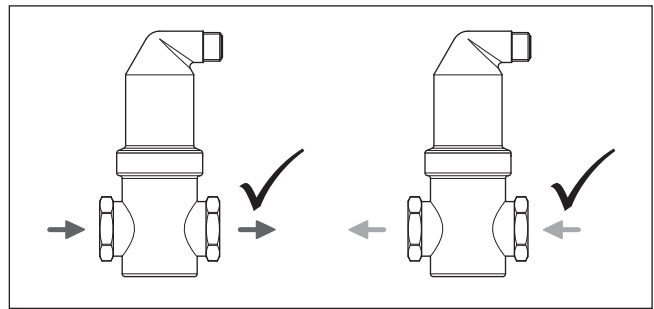
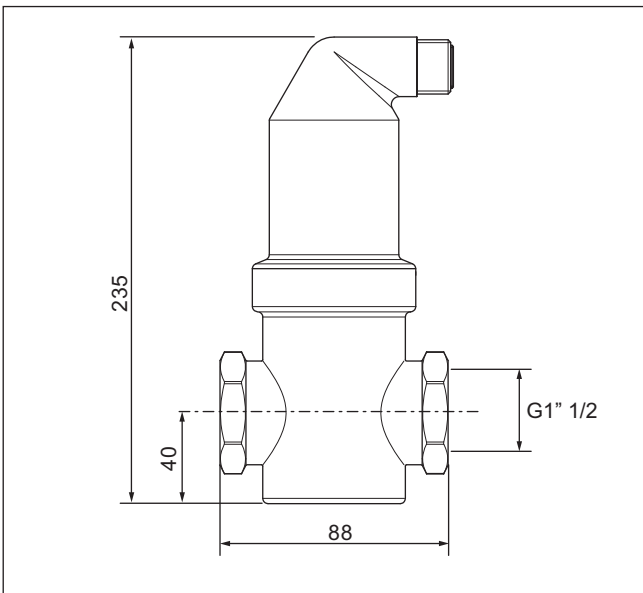
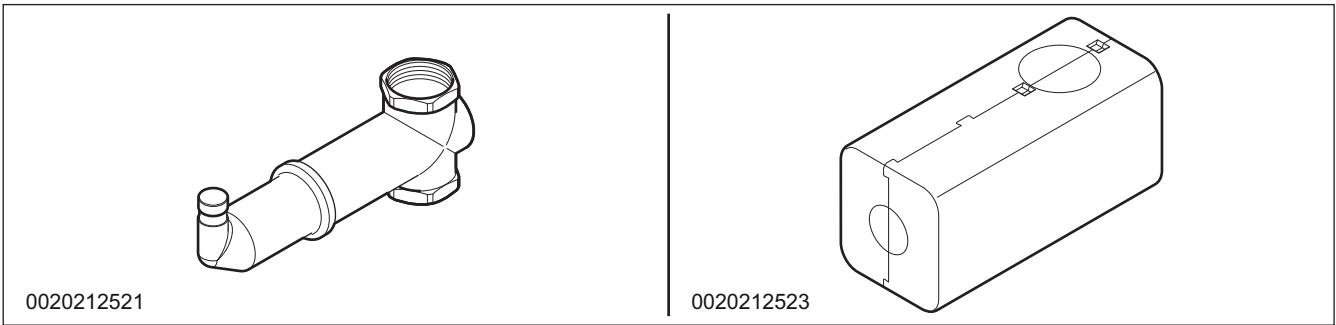
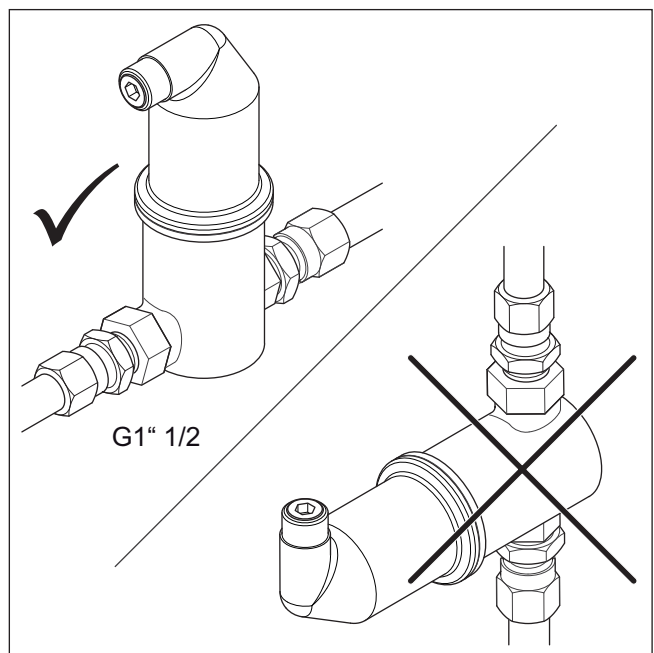
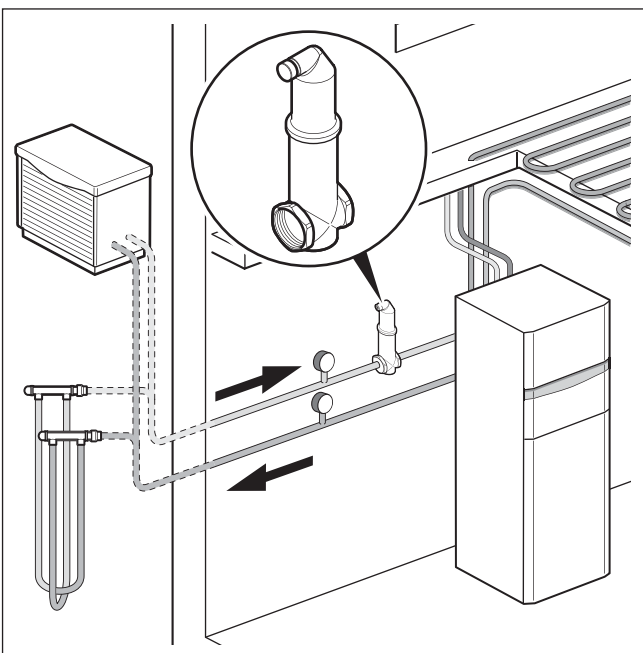
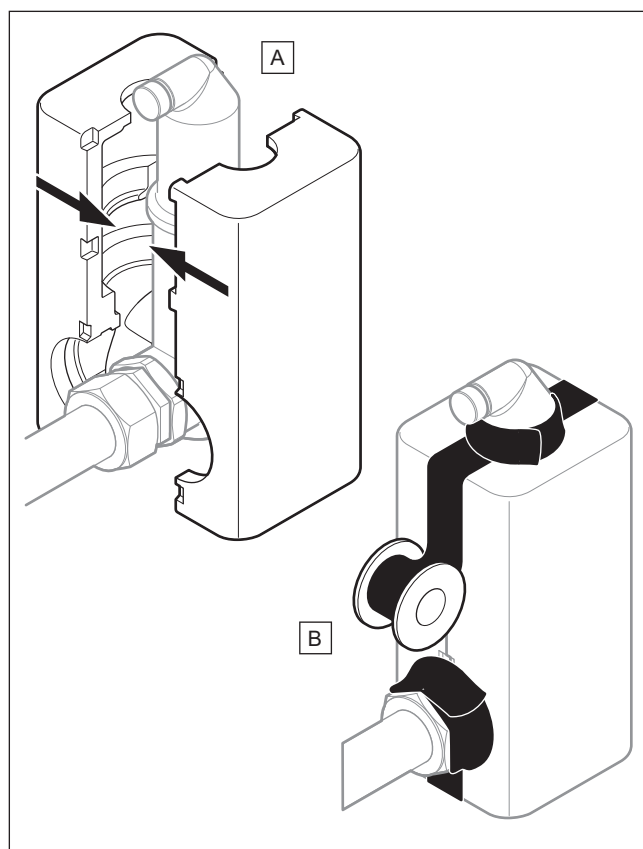
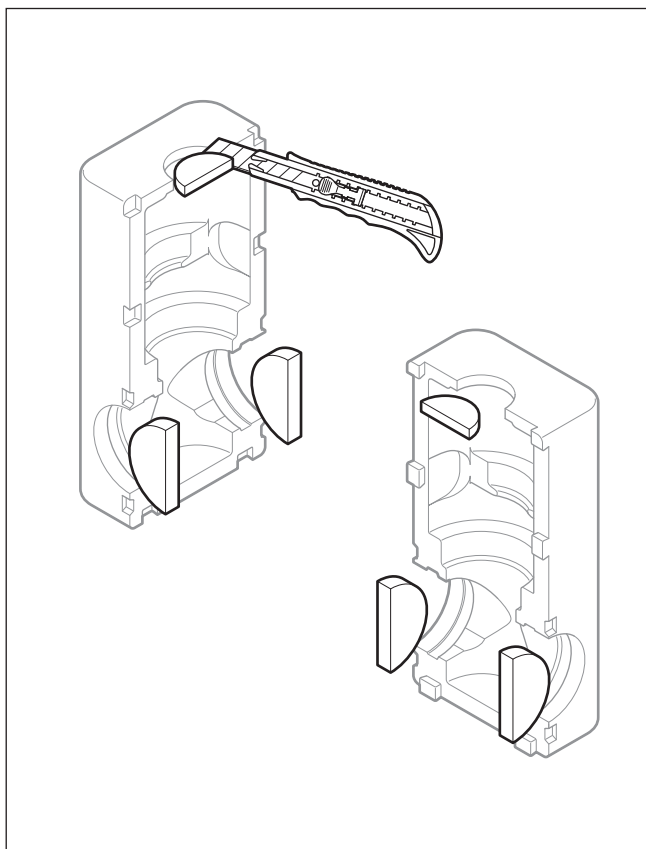
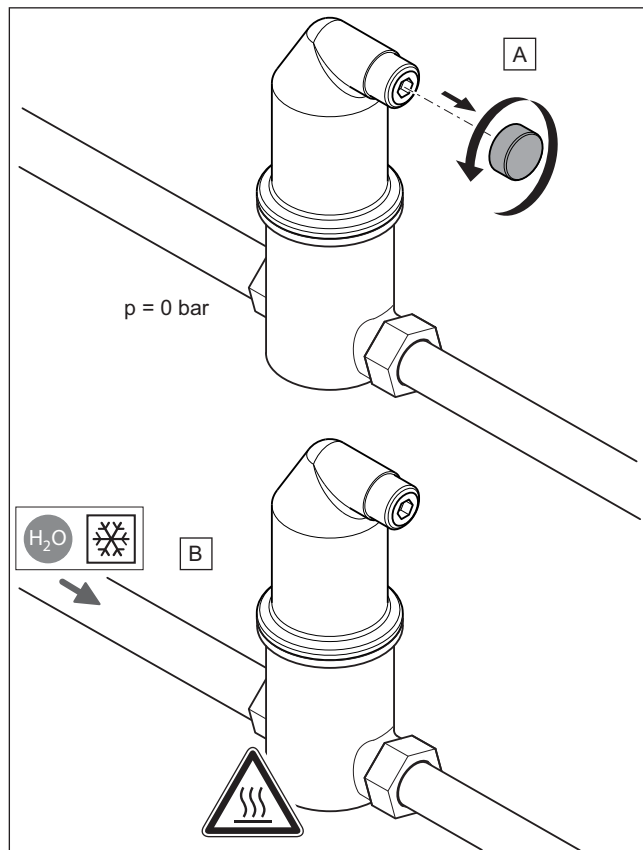
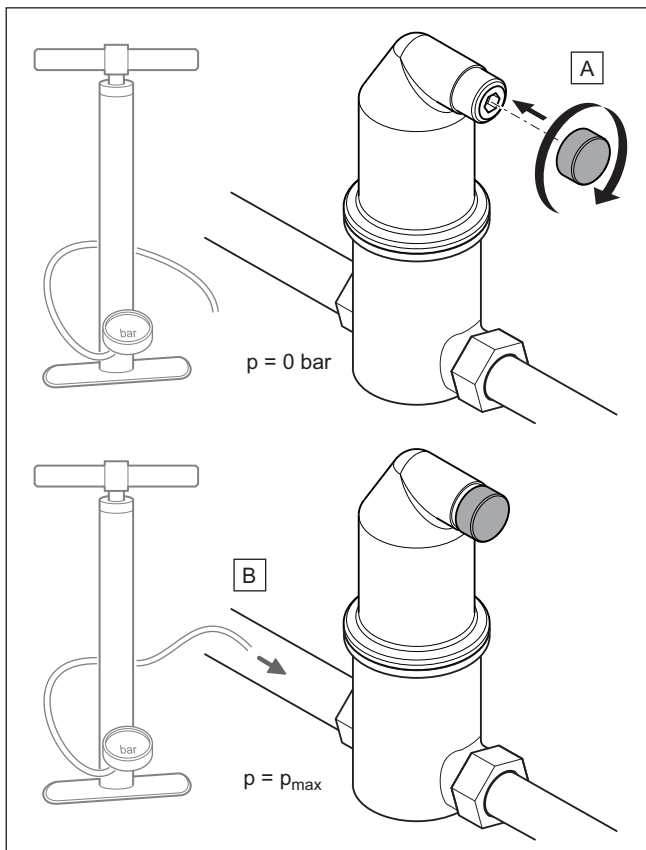


0020212521



Tmin / Tmax	°C	-30 / 110
pmin / pmax	bar	0 / 10
	-	Glycol < 50%
	-	-





0020257193\_00 ■ 24.03.2017

Manufacturer

**Vaillant GmbH**

Berghäuser Str.40 ■ D-42859 Remscheid  
 Telefon 021 91 18-0 ■ Telefax 021 91 18-28 10  
 info@vaillant.de ■ www.vaillant.de

© These instructions, or parts thereof, are protected by copyright and may be reproduced or distributed only with the manufacturer's written consent. We reserve the right to make technical changes.

