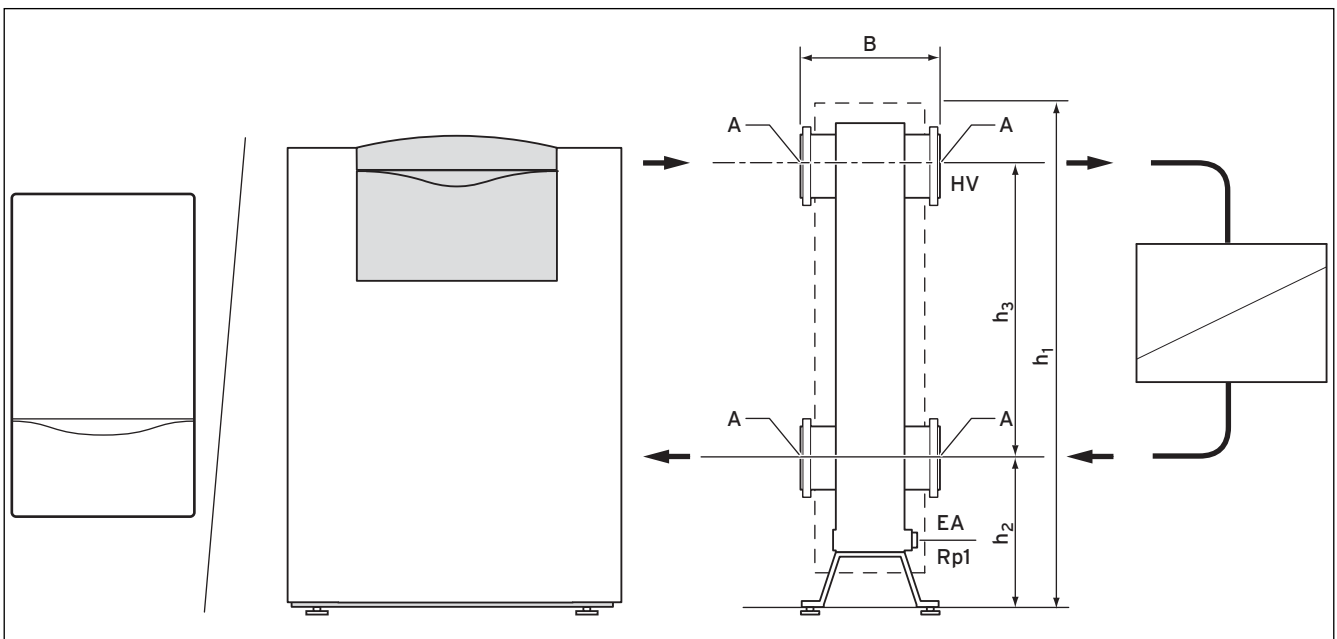
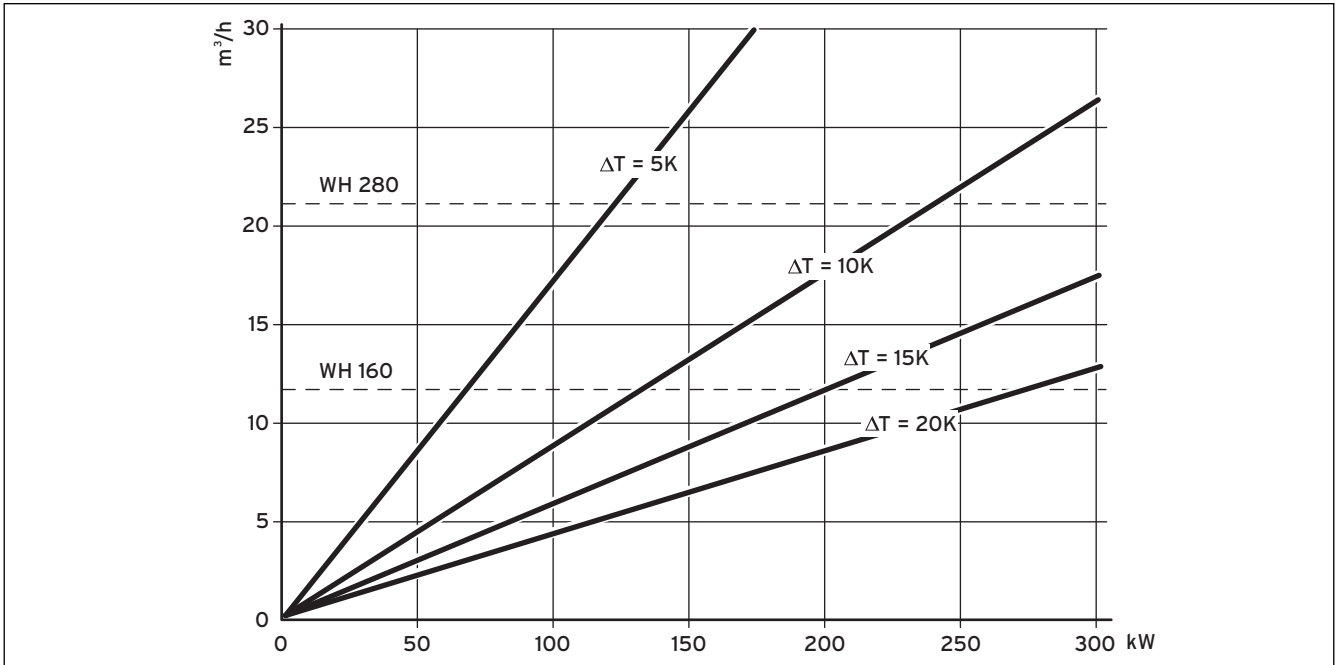
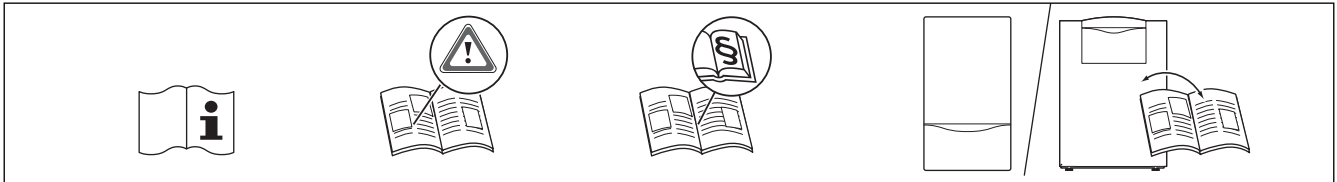


WH 160 (306726); WH 280 (306725)



WH 160; WH 280

	A	B	h ₁	h ₂	h ₃	m ³ /h
WH 160	DN 65	520	1259	269	900	12,0
WH 280	DN 80	600	1269	239	930	21,0

